

15.6 inch Industrial Ultra Flat IP65 Android Panel PC



Waterproof Full Flat IP65 Seamless Front

- 15.6", 1920x1080 (16:9)
- A83T CPU, Optional A64/RK3188/RK3288/RK3399
- 2G DDR3 (Up to 4G DDR3), 8G EMMC (Up to 16G/32G)
- OS: Android 4.4, Optional Android 5.1/6.0/7.1
- 3mm Ultra Thin Front Bezel, Aluminum Alloy Enclosure

Optional: Sunlight Readable(1000cd/m² Brightness)

Feature



- WIFI (2.4G)
- Power Button Embedded Holes
- Waterproof Speaker Hole
- Excellent Heat Dissipation Design
- VESA Holes (75*75mm, 100*100mm)

OEM/ODM:
Enclosure Size
Whole Waterproof
5G WIFI



Interfaces

WiFi + Bluetooth



OEM/ODM:
COM (RS232, RS485/RS422 Can Customized)
2*LAN (RJ45)
GPIO/LPT/Msata/Mini-PCle

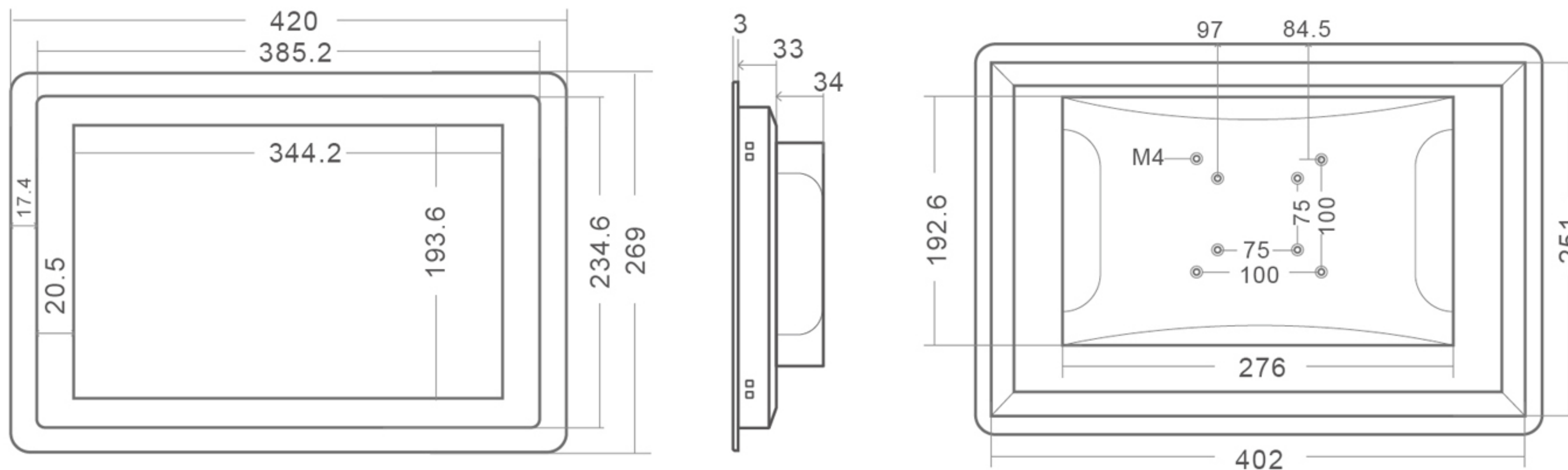


Touch Type

Front Panel IP65 Design, Water and Dust Proof



Dimension



Installation



Embedded With Buckles(Default)



Folding Bracket Stand(Optional)



Wall Hung Kits(Optional)



Match VESA ARM(Optional)

Specification

Display	Panel Type	TFT LED (A+ grade)
	Screen Size	15.6 inch
	Screen Ratio	16:9
	Resolution	1920x1080
	Contrast	1000:1
	Display Colors	16.7 M
	Brightness	400cd/m ² (1000cd/m ² for customized)
	Screen Pixel Pitch	0.264 mm
	Viewing Angle	(H)160 x (V)160
	Touch Screen Type	No Touch/Capacitive Touch
	Response Time	5ms
LED Backlight Lifespan	50,000 h	
Color	Silver or Black (Can Customized)	
Motherboard	Motherboard	A83T 8-core Cortex-A7 2.0GHz(Optional Up to A64/RK3188/RK3288/RK3399)
	RAM	2G DDR3(Optional Up to 4G DDR3)
	ROM	8G EMMC (Optional Up to 16G/32G EMMC)
	WiFi & Bluetooth	Built-in
	I/O	12V Power Adapter x1/USB2.0 x2/LAN x1(Optional: LANx2)/Audio x1/HDMI x1/SD card slot/SIM card slot/COM x2 (Can Customized)
OS	Android 4.4 (Optional: Android 5.1/6.0/7.1)	
Others	Power Supply	External 12V/5A Power Adapter (Optional: POE Power Supply)
	Power Consumption	≤ 60W
	Housing Material	Aluminum Alloy Enclosure
	Temperature	Operation: -10°C~60°C, Transportation & Storage: -20°C~60°C
	Humidity	Operation: 40%~65%, Transportation & Storage: 35%~80%
	Installations	Default: Embedded with Buckles Optional: Wall Hung Kits/Desktop Stand/Folding Bracket Stand/VESA Mounted
	Certificates	CE/FCC/RoHS
	Warranty	1 Year
Packing List	Power Adapter/Buckles/Manual	